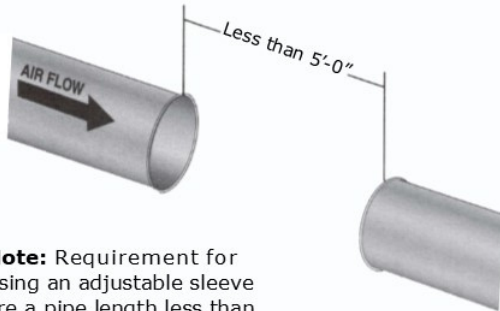


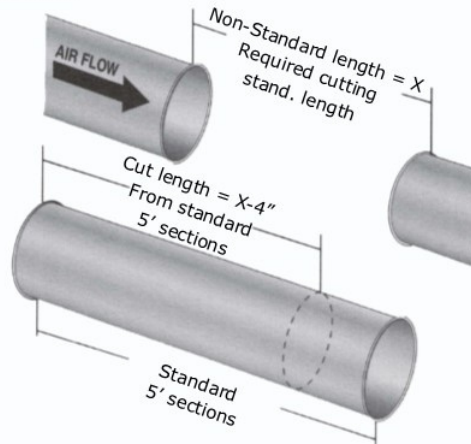
INSTRUCTIONS: ADJUSTABLE SLEEVE WITH O-RING

STEP #1

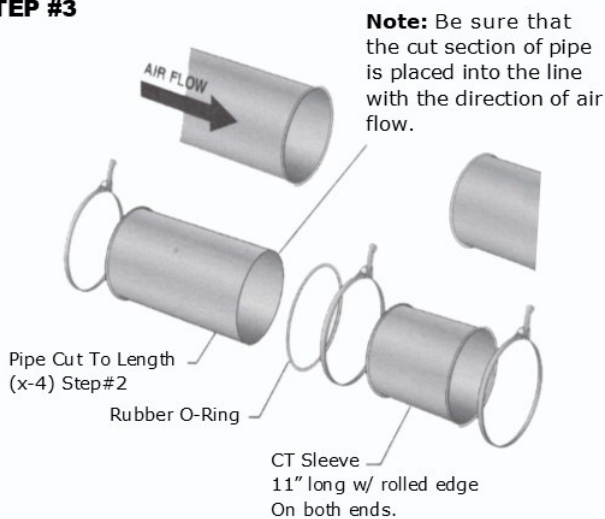


Note: Requirement for using an adjustable sleeve are a pipe length less than the standard 5'-0" section of pipe

STEP #2

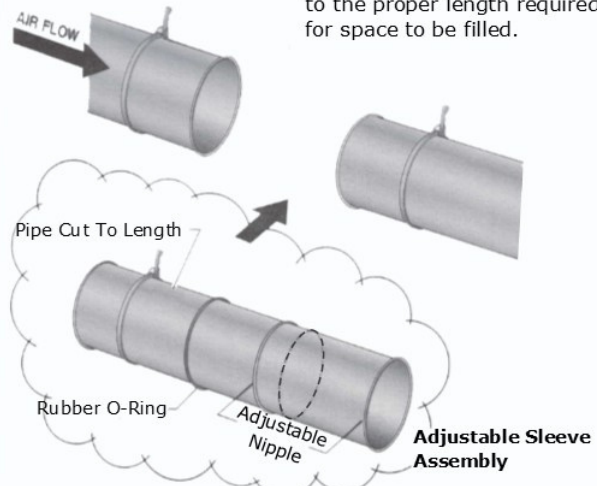


STEP #3



Note: Be sure that the cut section of pipe is placed into the line with the direction of air flow.

STEP #4



Note: Adjust the assembly to the proper length required for space to be filled.

STEP #5

